

IES2005

DIN-Rail Mounting or Wall Mounting
5-port 100M Unmanaged Industrial Ethernet Switch

- Support 5 100M copper ports
- Input voltage: 12~48VDC/24VAC
- Support -40~75°C wide operating temperature range



Industrial Grade Fanless Design

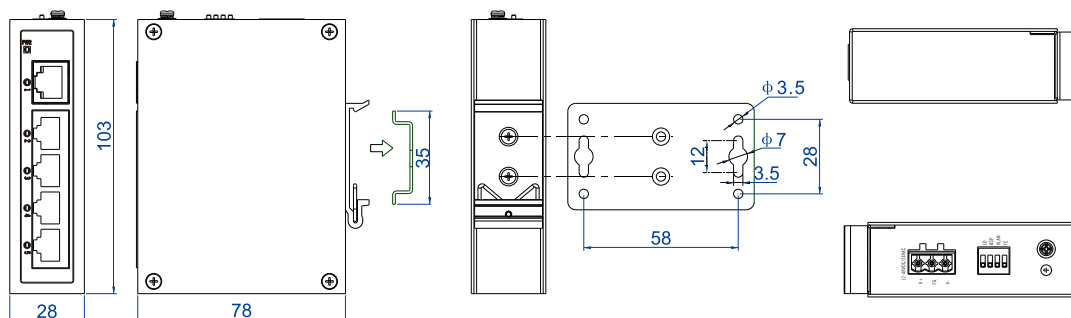
Introduction

IES2005 is 5-port 100M unmanaged industrial Ethernet switch. It provides 100M copper ports and adopts DIN-Rail mounting or wall mounting, which can meet the requirements of different application scenes.

The DIP switch can achieve loop detection, storm suppression, one-key VLAN and flow control. Hardware adopts fanless, low power consumption, and has passed rigorous industrial standard tests, which can suit for the industrial scene environment with harsh requirements for EMC. It can be widely used in railway transportation, smart city, safe city, new energy, intelligent manufacturing, and other industrial fields.

Dimension

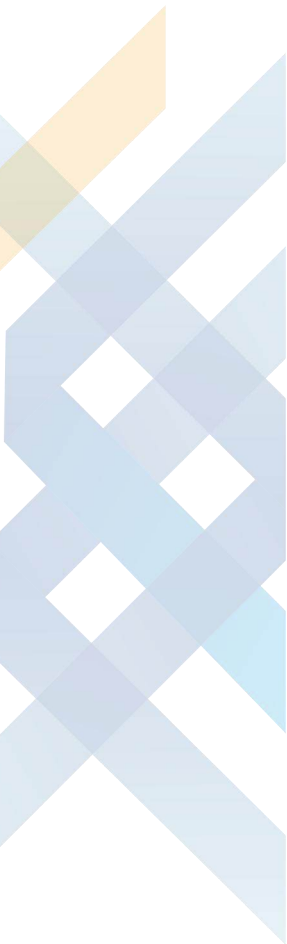
Unit:mm



Specification

Standard & Protocol	IEEE 802.3 for 10Base-T IEEE 802.3u for 100Base-TX IEEE 802.3x for flow control
Interface	Copper port: 10/100Base-T(X), RJ45, Full/Half Duplex Mode, MDI/MDI-X Autotuning
LED Indicator	Power Supply Indicator, Port Indicator
Switch Property	Transmission mode: store and forward MAC address: 2K Backplane bandwidth: 1G Switch time delay: <10 μ s

Power Requirement	12~48VDC/24VAC, 3-pin 5.08mm pitch terminal blocks Anti-reverse connection protection, built-in over-current 3.0A protection
Power Consumption	No-load: 0.4W@24VDC Full-load: 1.0W@24VDC
Environmental Limit	Operating temperature range: -40~75°C Storage temperature range: -40~85°C Relative humidity: 5% ~ 95%(no condensation)
Physical Characteristic	Housing: IP40 protection, metal Installation: DIN-Rail mounting or wall mounting Dimension (W x H x D): 28mm×103mm×78mm
Industrial Standard	IEC 61000-4-2 (ESD), Level 3 <ul style="list-style-type: none"> ● Air discharge: ±8kV ● Contact discharge: ±6kV IEC 61000-4-4 (EFT), Level 3 <ul style="list-style-type: none"> ● Power supply: ±2kV ● Ethernet port: ±1kV IEC 61000-4-5 (Surge), Level 3 <ul style="list-style-type: none"> ● Power supply: common mode±2kV, differential mode±1kV ● Ethernet port: common mode±2kV, differential mode±1kV Shock: IEC 60068-2-27 Free fall: IEC 60068-2-32 Vibration: IEC 60068-2-6
Certification	CE, FCC, RoHS
Warranty	5 years
MTBF	510465 hrs



Ordering Information

Available Models	100M Copper Port	Power Supply
IES2005	5	12~48VDC/24VAC

Product Discontinuation Information

On November 26th, 2025, 3onedata officially announced the discontinuation of the following industrial switch series:

- IES2100SL V1.0.0,
- IES2016 V1.0.0,
- IES20XX V2.0.0.

These product lines are being replaced by the updated IES2100SL V2.0.0 series, which unifies the mechanical design, housing layout and functional consistency while maintaining full backward usability.

Replacement Models

Discontinued Model	New Model
IES2005	IES2100SL-5T-2LV V2.0.0

Key End-of-Life Dates

Stage	Date	Description
End of Sales models	February 26th, 2026	Last date when the discontinued can be purchased.
End of Production	May 26th, 2026	Manufacturing of all V1.0.0 and V2.0.0 versions ends.
End of Technical Support years.	November 26th, 2030	Technical assistance ends after 5 years.
End of After-Sales Service	November 26th, 2030	No further repair or service options



Address: 3/B, Zone 1, Baiwangxin High Technology Industrial Park, Song Bai Road, Nanshan District, Shenzhen, 518108, China

TEL.: +86-755-26702668 ext 835 FAX: +86-755-26703485

E-mail: ics@3onedata.com

Website: www.3onedata.com

◀ Please scan our QR code for more details

*Product pictures and technical data in this datasheet are only for reference. Updates are subject to change without prior notice. The final interpretation right is reserved by 3onedata.