



IGW3200-4T-RJ-P(24VDC)

Rail mounted installation

MODBUS TCP To PROFINET Protocol Gateway

- Supports 2-way 10/100 Mbit/s Modbus TCP Ethernet interface (RJ45) and 2-way 10/100 Mbit/s PROFINET interface (RJ45)
- Supports Modbus TCP to PROFINET protocol
- Complies with standard Profinet IO and Modbus protocol specifications
- No need to configure Modbus parameters through Profinet IO, supporting more Modbus device connections
- Support configuration software for online monitoring and recording of Modbus network data
- Support Modbus device point table import and export, facilitating engineer configuration
- Supports 24V DC DC power supply
- Support -20~70°C wide operating temperature range



Introduction

IGW3200-4T-RJ-P (24VDC) is a powerful and easy to configure gateway used to connect Modbus TCP devices and networks to Profinet systems. This gateway can achieve bidirectional data exchange, allowing existing, low-cost Modbus TCP devices to integrate into the Profinet system while providing data from Profinet to Modbus TCP devices for use.

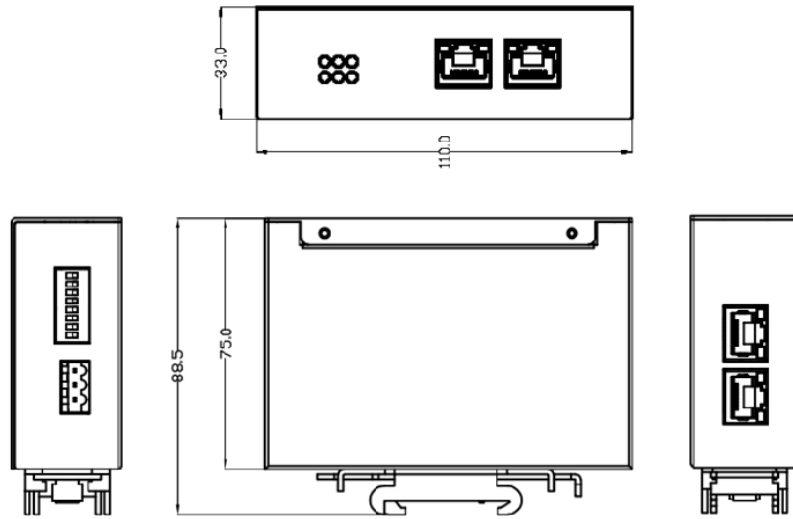
On the Profinet side, the gateway operates as a Profinet IO device and uses card slots and sub slots for data exchange; Provide customers with the GSDML file for this gateway, load the GSDML file through the TIA portal, and configure the Profinet network. On the Modbus side, this device can serve as both a Modbus TCP client and a Modbus TCP server. The mapping of Profinet IO and Modbus data is completed by the configuration software, and the exchange of Profinet IO network data and Modbus network data is completed through the gateway.

Features and Benefits

- ⦿ Supports 2-way 10/100 Mbit/s Profinet Ethernet interface, meeting Profinet specification V2.3 and GSDML specification V2.32 V2.33
- ⦿ Supports 2-way 10/100Mbit/s Modbus TCP Ethernet interface, meets Modbus specification V1.1b3, and meets Modbus TCP specification V1.1b Client/Server
- ⦿ Complies with standard Profinet IO and Modbus protocol specifications
- ⦿ Graphical configuration without programming
- ⦿ Protocol conversion time in milliseconds
- ⦿ No need to configure Modbus parameters through Profinet IO, supporting more Modbus device connections
- ⦿ Flexible serial port customization method
- ⦿ The configuration software can monitor and record Modbus network data online
- ⦿ Support Modbus device point table import and export, facilitating engineer configuration
- ⦿ Extensive industrial field application verification
- ⦿ High cost performance, can be quickly customized

Dimension

Unit:mm



Specification

<p>PROFINET</p>	<p>Specification: Profinet V2.3 GSDML V2.32、 GSDML V2.33 Interface format: 10/100 Mbit/s Ethernet, RJ45 Card slot: Supports 16 card slots System: MRP Maximum data: 1440 bytes IN+1440 bytes OUT Switch: Integrated dual port switch Number of interfaces: 2 channels Communication level: IRT Monitoring unit: FSU Protocol conversion time:<15ms</p>
<p>Modbus TCP</p>	<p>Specification: Modbus V1.1b3 Modbus TCP V1.0b Client/Server Number of interfaces: 2 channels Interface form: Adopting RJ45 Node size: The client can connect 16 Modbus TCP Server devices, and each device can be configured with 32 Modbus commands. The server can support 10 Modbus TCP Client devices to connect simultaneously.</p> <p>Transformer isolation: supported Support speed: 10/100M full duplex Mode: Client/Server optional Verification: CRC Function codes: 01H, 02H, 03H, 04H, 05H, 06H, 0FH, 10H functions</p>
<p>Configuration Tools</p>	<p>Tool Name: 3onedata Configuration Studio</p>

	<p>Configuration interface: Ethernet interface</p> <p>Engineering management: supports saving and loading</p> <p>Language: Supports switching between Chinese and English</p> <p>Monitoring: Supports Modbus message monitoring, import, and export</p> <p>Modbus point table: supports importing and exporting Modbus point tables</p> <p>Interactive mapping: supports configuration of serial port data and Profinet IO mapping</p>
--	--

Connection, Configuration, And Firmware Updates

Connection: The Profinet side of the gateway integrates a dual port switch, which can easily achieve a daisy chain linear topology structure, and the power is supplied through terminals

Configuration: Modbus bus configured through standard RJ45 network port

Update: Configure ports through Ethernet interface

Indicator light	Power indicator light, Ethernet port indicator light, serial port indicator light, and operation indicator light
------------------------	--

Source	24 VDC soil 10%, 100mA typ
---------------	----------------------------

Protection/Isolation	<p>Triple isolation: Serial port<=>Power supply<=>Ethernet</p> <p>Protection: reverse voltage/short circuit protection</p>
-----------------------------	--

Work Environment

Working temperature: -20~70 °C

Storage temperature: -40~85 °C

Relative humidity: 10%~95% (no condensation)

Mechanical Structure	<p>Shell: IP20 protection level, metal shell</p> <p>Installation: DIN 35mm rail installation</p> <p>Dimensions (width x height x depth): 33mm x 110mm x 75mm</p> <p>Weight: approximately 330g</p>
-----------------------------	--

Authentication	CE、FCC、RoHS
-----------------------	-------------

Warranty	5 years
-----------------	---------

Modbus TCP

Specification: Modbus V1.1b3 Modbus TCP V1.0b Client/Server

Number of interfaces: 2 channels

Interface form: Adopting RJ45

Node size: The client can connect 16 Modbus TCP Server devices, and each device can be configured with 32 Modbus commands. The server can support 10 Modbus TCP Client devices to connect simultaneously.

Transformer isolation: supported

Support speed: 10/100M full duplex

Mode: Client/Server optional

Verification: CRC

Function codes: 01H, 02H, 03H, 04H, 05H, 06H, 0FH, 10H functions

ConfigurationTools	Tool Name: 3onedata Configuration Studio Configuration interface: Ethernet interface Engineering management: supports saving and loading Language: Supports switching between Chinese and English Monitoring: Supports Modbus message monitoring, import, and export Modbus point table: supports importing and exporting Modbus point tables Interactive mapping: supports configuration of serial port data and Profinet IO mapping
Connection, Configuration, And Firmware updates	Connection: The Profinet side of the gateway integrates a dual port switch, which can easily achieve a daisy chain linear topology structure, and the power is supplied through terminals Configuration: Modbus bus configured through standard RJ45 network port Update: Configure ports through Ethernet interface
Indicator light	Power indicator light, Ethernet port indicator light, serial port indicator light, and operation indicator light
Source	24 VDC soil 10%, 100mA typ
Protection/Isolation	Triple isolation: Serial port<=>Power supply<=>Ethernet Protection: reverse voltage/short circuit protection
Work Environment	Working temperature: -20~70 °C Storage temperature: -40~85 °C Relative humidity: 10%~95% (no condensation)
Mechanical structure	Shell: IP20 protection level, metal shell Installation: DIN 35mm rail installation Dimensions (width x height x depth): 33mm x 110mm x 75mm Weight: approximately 330g
Authentication	CE、FCC、RoHS
Warranty	5 years

Ordering Information

Model	100Mbps Profinet port	100Mbps Modbus TCP port	Source
IGW3200-2T1D-TB-P (24VDC)	2	2	24 VDC soil 10%



Address: 3/B, Zone 1, Baiwangxin High Technology Industrial Park, Song Bai Road, Nanshan District, Shenzhen, 518108, China

TEL.: +86-755-26702668 ext 835 FAX: +86-755-26703485

E-mail: ics@3onedata.com

Website: www.3onedata.com

◀ [Please scan our QR code for more details](#)

*Product pictures and technical data in this datasheet are only for reference. Updates are subject to change without prior notice. The final interpretation right is reserved by 3onedata.