



## IGW3500-4T-RJ-P (24VDC)

Rail Mounted Installation

MODBUS To ETHERNET/IP Gateway

- supports 2-way 10/100 Mbit/s Ethernet/IP interface and 2-way Modbus Ethernet interface, RJ45 interface
- Complies with standard Ethernet/IP protocol and Modbus protocol specifications
- Supports multiple operating modes such as Ethernet/IP, Modbus Client, and Modbus Server
- Support mapping between virtual ID and real ID, enabling flexible access between master and slave devices
- Support network modes such as redundant mode, switching mode, and dual IP mode to meet various network environment requirements
- Supports 24V DC DC power supply
- Support -20~70°C wide operating temperature range



Industrial Grade



Fanless Desig

**EtherNet/IP**



# Introduction

---

IGW3500-4T-RJ-P (24VDC) is a powerful and easy to configure gateway used for seamless internal connection to control systems and connected devices between Ethernet/IP networks and Modbus TCP networks, enabling fast transmission of cyclic I/O data between the two networks. The gateway device has a wide range of applications, including Ethernet frequency converters, intelligent high and low voltage electrical appliances, electricity measurement devices, intelligent on-site measurement equipment, instruments, PLC, DCS, FCS, and so on.

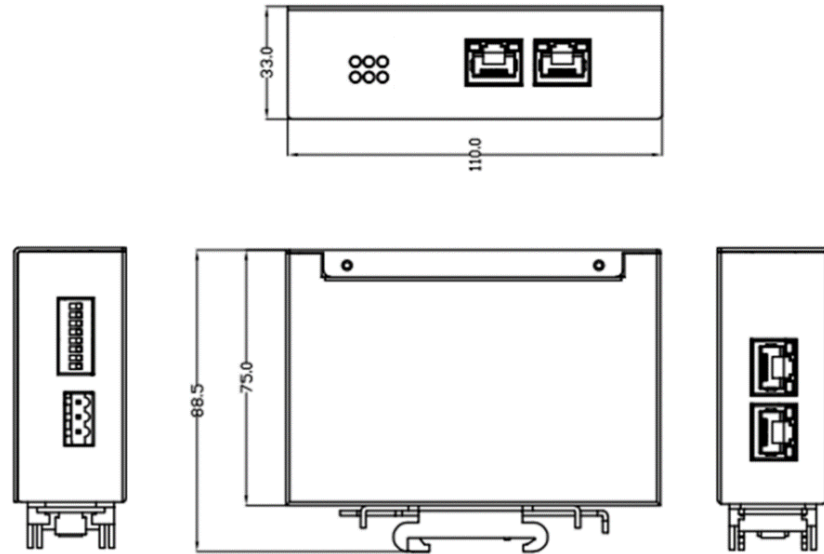
## Features and Benefits

---

- ⦿ Complies with standard Ethernet/IP protocol and Modbus protocol specifications
- ⦿ Graphical configuration, no programming required, no need to configure Modbus parameters through Ethernet/IP
- ⦿ Millisecond level protocol conversion between networks
- ⦿ The configuration software can monitor and record Modbus network data online
- ⦿ Support Modbus device point table import and export
- ⦿ Extensive industrial field application verification
- ⦿ High cost performance, can be quickly customized
- ⦿ When working in Modbus TCP Client mode, it can support up to 16 clients,
- ⦿ Each client can support up to 32 commands, and each client works in parallel without affecting each other
- ⦿ When working in Modbus TCP Server mode, the configuration is simple and supports 10 clients to connect simultaneously
- ⦿ Supports a maximum input byte count of 1500 bytes and a maximum output byte count of 1500 bytes

# Dimension

Unit:mm



# Specification

<p><b>Ethernet/IP</b></p>	<p>CIP&amp;EIP specifications: Edition3.1&amp;Edition1.24 Energy spectrometer: EDSEthernet/IP interface: 2-way 10/100 Mbit/s Ethernet, RJ45 interface          Support maximum data: 1500bytes IN+1500bytes OUT          Ring network configuration: DLR          Switch: Integrated dual port switch protocol: Supports QC          Protocol conversion time:&lt;15ms</p>
<p><b>Modbus</b></p>	<p>Specification: Modbus V1.1b3, Modbus TCP V1.0b Client/Server          Modbus TCP interface: 2-way RJ45 interface switch: integrated dual port switch Node scale: Client can connect 16 Modbus TCP Server devices, each device can          Configure 32 Modbus commands, The server can support 10 Modbus TCP Client devices are connected simultaneously.          Transformer isolation: supports speed: 10/100M full duplex mode:          Client/Server optional verification: CRC function codes: 01H, 02H, 03H, 04H, 05H, 06H, 0FH, 10H functions</p>
<p><b>Configuration Tools</b></p>	<p>Tool Name: 3onedata Configuration Studio          Engineering management: supports saving and loading          Language: Supports switching between Chinese and English          Monitoring: Supports Modbus message monitoring, import, and export          Modbus point table: supports importing and exporting Modbus point tables          Interactive mapping: Supports Modbus data and Ethernet/IP</p>

	mapping configuration
<b>Connection, Configuration, And Firmware Updates</b>	<p>Connection: Simple implementation of daisy chain linear topology structure, connected to power supply through terminals</p> <p>Configuration and firmware updates: via Ethernet configuration port</p>
<b>Indicator Light</b>	Power indicator light, communication status indicator light, operation indicator light, Ethernet port indicator light
<b>Source</b>	24 VDC soil 10%, 100mA typ
<b>Protection/Isolation</b>	<p>Triple isolation: Ethernet&lt;=&gt;Power&lt;=&gt;Ethernet</p> <p>Protection: reverse voltage/short circuit protection</p>
<b>Work Environment</b>	<p>Working temperature: -20~70 °C</p> <p>Storage temperature: -40~85 °C</p> <p>Relative humidity: 10% to 95% (without condensation)</p>
<b>Mechanical Structure</b>	<p>Shell: IP20 protection level, metal shell</p> <p>Installation: DIN 35mm rail installation</p> <p>Dimensions (width x height x depth): 33mm x 110mm x 75mm</p> <p>Weight: approximately 330g</p>
<b>Authentication</b>	CE、FCC、RoHS
<b>Warranty</b>	5 years
<b>Modbus</b>	<p>Specification: Modbus V1.1b3, Modbus TCP V1.0b Client/Server</p> <p>Modbus TCP interface: 2-way RJ45 interface switch: integrated dual port switch</p> <p>Node scale: Client can connect 16 Modbus TCP Server devices, each device can</p> <p>Configure 32 Modbus commands, The server can support 10 Modbus TCP Client devices are connected simultaneously.</p> <p>Transformer isolation: supports speed: 10/100M full duplex mode:</p> <p>Client/Server optional verification: CRC function codes: 01H, 02H, 03H, 04H, 05H, 06H, 0FH, 10H functions</p>
<b>Configuration Tools</b>	<p>Tool Name: 3onedata Configuration Studio</p> <p>Engineering management: supports saving and loading</p> <p>Language: Supports switching between Chinese and English</p> <p>Monitoring: Supports Modbus message monitoring, import, and export</p> <p>Modbus point table: supports importing and exporting Modbus point tables</p> <p>Interactive mapping: Supports Modbus data and Ethernet/IP mapping configuration</p>
<b>Connection, Configuration, And</b>	<p>Connection: Simple implementation of daisy chain linear topology structure, connected to power supply through terminals</p>

**Firmware Updates**

Configuration and firmware updates: via Ethernet configuration port

**Indicator Light**

Power indicator light, communication status indicator light, operation indicator light, Ethernet port indicator light

**Source**

24 VDC soil 10%, 100mA typ

**Protection/Isolation**Triple isolation: Ethernet<=>Power<=>Ethernet  
Protection: reverse voltage/short circuit protection**Work Environment**Working temperature: -20~70 °C  
Storage temperature: -40~85 °C  
Relative humidity: 10% to 95% (without condensation)**Mechanical Structure**Shell: IP20 protection level, metal shell  
Installation: DIN 35mm rail installation  
Dimensions (width x height x depth): 33mm x 110mm x 75mm  
Weight: approximately 330g**Authentication**

CE、FCC、RoHS

**Warranty**

5 years

## Ordering Information

Model	ModbusTCP port	100Mbps Ethernet/IP Port	Source
IGW3500-4T-RJ-P (24VDC)	2	2	24 VDC soil 10%



Address: 3/B, Zone 1, Baiwangxin High Technology Industrial Park, Song Bai Road, Nanshan District, Shenzhen, 518108, China

TEL.: +86-755-26702668 ext 835 FAX: +86-755-26703485

E-mail: [ics@3onedata.com](mailto:ics@3onedata.com)

Website: [www.3onedata.com](http://www.3onedata.com)

◀ [Please scan our QR code for more details](#)

\*Product pictures and technical data in this datasheet are only for reference. Updates are subject to change without prior notice. The final interpretation right is reserved by 3onedata.